

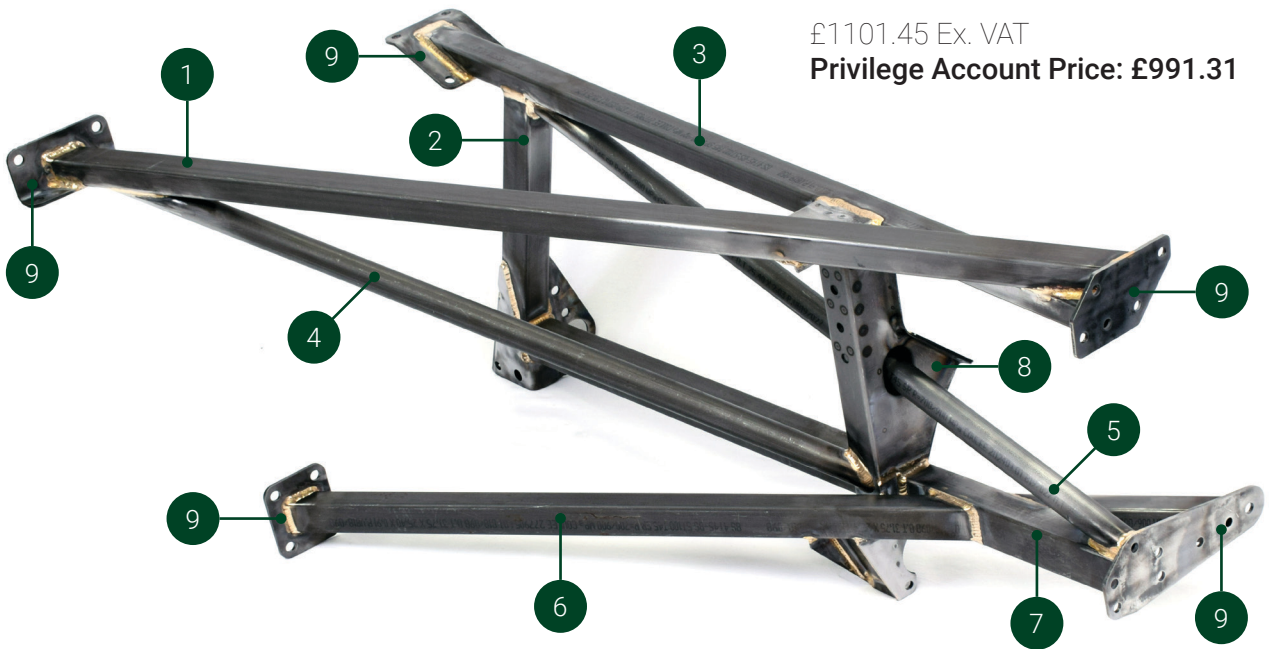


# Updated Front Frame Parts Catalogue



2020-2021

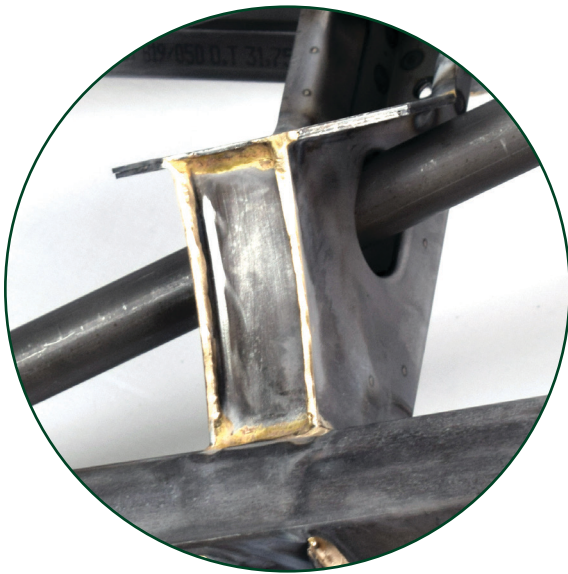
## Up-rated Engine Side Frames for Jaguar E-Type MRE93RHU / MRE94LHU



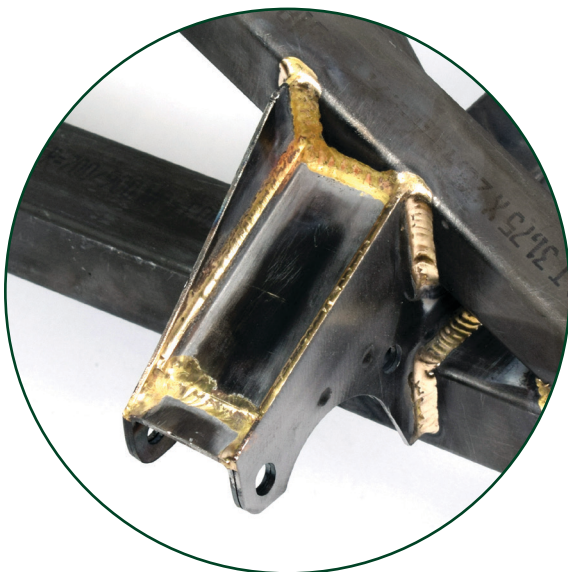
£1101.45 Ex. VAT  
**Privilege Account Price: £991.31**

ID	Description	Specification
1	Upper Square Cross Brace	20 SWG (0.91mm) Aircraft Quality T45 Carbon Manganese Steel.
2	Rear Vertical Post	14 SWG (2.03mm) Aircraft Quality T45 Carbon Manganese Steel.
3	Upper Longitudinal	20 SWG (0.91mm) Aircraft Quality T45 Carbon Manganese Steel.
4	Round Cross Brace	14 SWG (2.03mm) Aircraft Quality T45 Carbon Manganese Steel. (Originally 20 SWG - 0.91mm)
5	Upper Longitudinal Round Brace	14 SWG (2.03mm) Aircraft Quality T45 Carbon Manganese Steel. (Originally 20 Gauge - 0.91mm)
6	Lower Square Cross Brace	20 SWG (0.91mm) Aircraft Quality T45 Carbon Manganese Steel.
7	Lower Square Longitudinal	16 Gauge (1.63mm) Aircraft Quality T45 Carbon Manganese Steel. (Originally 20 SWG - 0.91mm)
8	Engine Mounting Post	Formed and spot welded 16 SWG (1.63mm) High-Strength Low-Alloy (HSLA)
9	Mounting Plates	3.5mm High-Strength Low-Alloy (HSLA) (Originally 10 SWG / 3.251mm)
All Joints are Bronze Welded		

Upgraded Engine Side Frames for Jaguar E-Type  
MRE93RHU / MRE94LHU



Additional Gusset Bronze Welded between the formed engine mounting post. Provides additional strength to reduce deflection under harsh driving conditions.



Additional Gusset Bronze Welded between the front suspension mounting point. The Gusset provides additional strength to reduce deflection under harsh driving conditions.

## Uprated Bonnet Support Frame MRE91UE



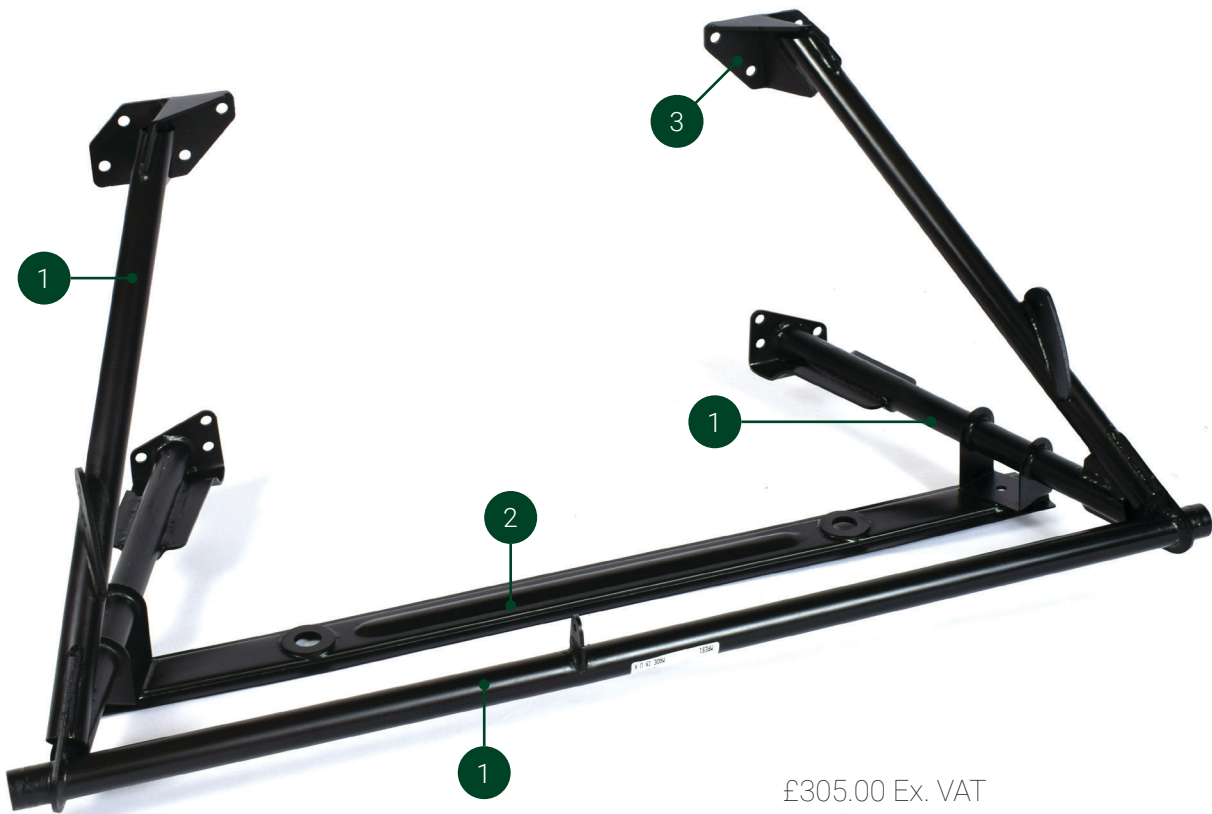
£295.00 Ex. VAT

**Privilege Account Price: £265.50**

ID	Specification
1	14 SWG (2.03mm) Aircraft Quality T45 Carbon Manganese Steel Tubing. Originally 20 SWG (0.91mm).
2	Folded Mild Steel Radiator Support Rail - Increased strength compared to Original
3	3.5mm High-Strength Low-Alloy (HSLA) (Originally 10 SWG / 3.251mm) Mounting Plates
All Joints are Bronze Welded	

Please Note - This Uprated Bonnet Support Frame does not come supplied with the Balance Link brackets or the collapsible number plate bracket. This variant was designed to be fitted with Uprated fittings. Please see MRE91U if you require the Balance Link Brackets and the Collapsible number plate bracket. The image is for illustration purposes only, the finished product will come in a Black etch primer

## Uprated Bonnet Support Frame MRE91U



£305.00 Ex. VAT  
**Privilege Account Price: £274.50**

ID	Specification
1	14 SWG (2.03mm) Aircraft Quality T45 Carbon Manganese Steel Tubing. Originally 20 SWG (0.91mm).
2	Folded Mild Steel Radiator Support Rail - Increased strength compared to Original
3	3.5mm High-Strength Low-Alloy (HSLA) (Originally 10 SWG / 3.251mm) Mounting Plates
All Joints are Bronze Welded	

Please Note - This Uprated Bonnet Support Frame comes supplied with the Balance Link brackets or the collapsible number plate bracket. This variant was designed to be fitted with standard fittings. Please see MRE91UE if you do not require the Balance Link Brackets and the Collapsible number plate bracket.

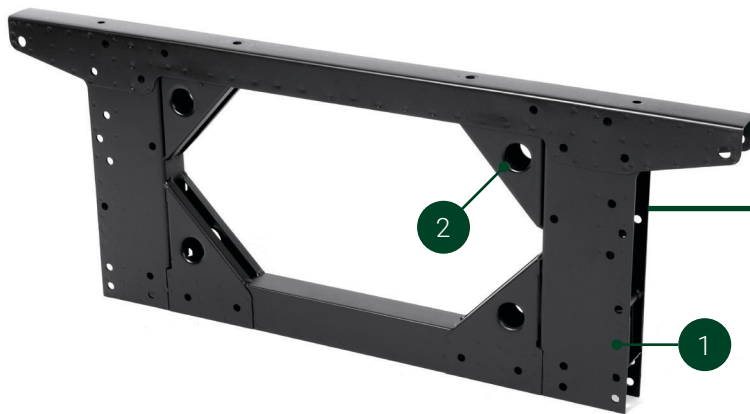
## Uprated Picture Frame Crossmember



**MRE92AUE - Series 2 E-Type**  
 Stage 1 - Uprated Picture Frame Crossmember without the Radiator Fan Bracket.

£284.25 Ex. VAT

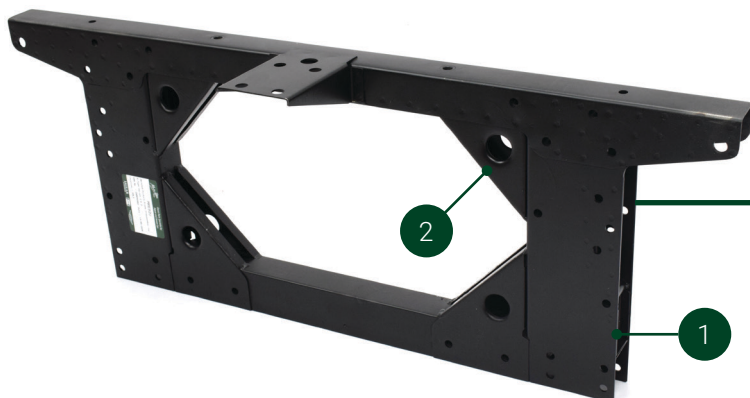
**Privilege Account Price: £255.83**



**MRE92AU - Series 2 E-Type**  
 Stage 2 - Uprated Picture Frame Crossmember without the Radiator Fan Bracket

£299.25 Ex. VAT

**Privilege Account Price: £269.33**



**MRE92U - Series 1 E-Type**  
 Stage 2 - Uprated Picture Frame Crossmember with the Radiator Fan Bracket

£309.25 Ex. VAT

**Privilege Account Price: £278.33**

ID	Description	Specification
1	Stiffener and Tube	The additional Brazed tube and spot-welded stiffener provide additional strength. This prevents deflection from the Anti-roll bar under harsh driving conditions. Please Note - A longer bolt will be required to moun the ARB.
2	Stiffener Bracket	Providing additional strength to the picture frame - The 90 Degree brackets prevent skewing under harsh driving conditions.



Please Note - All prices are subject to change at any time. Document last updated: 19/06/20

---

[www.martinrobey.com](http://www.martinrobey.com) | [info@martinrobey.co.uk](mailto:info@martinrobey.co.uk) | +44(0)2476 386 903